



KV-1

BUTTERFLY VALVE/WAFER TYPE

GENERAL FEATURES

The closing element in the butterfly valves is a rotating shaft that is placed on a vertical axis. The sealing is provided between the metal flap and the elastic or plastic sealing elements covering the inside of the body. The sealing element also serves as a flange seal between the valve and the pipe.

Advantages of such valves are; low pressure loss, easy opening and closing, good sealing, light weight and small footprint.

The Ayvaz KV-1 Wafer Type Butterfly Valves should be checked to see if they are moving freely during the installation. The valve stem may be horizontal or vertical. However, horizontal installation on DN300 should be preferred.

Product Material

Body: Cast Iron

Disc: AISI316 Stainless Steel

Shaft: SS420

Connection:

Wafer Type

Max. Working Temp.: 80 °C

Application Areas:

- Heating, ventilating and air conditioning systems
- Water treatment and distributing systems
- Mining industry
- Shipbuilding and drilling plant
- Food and chemistry industries
- Fire extinguisher systems
- Water, sea water, dust, gas, wastewater and air

Notes:

It is recommended to use reducer type for all diameters in butterfly valves. There are only reducer type production on DN350 and above Butterfly valves.

Actuator Types

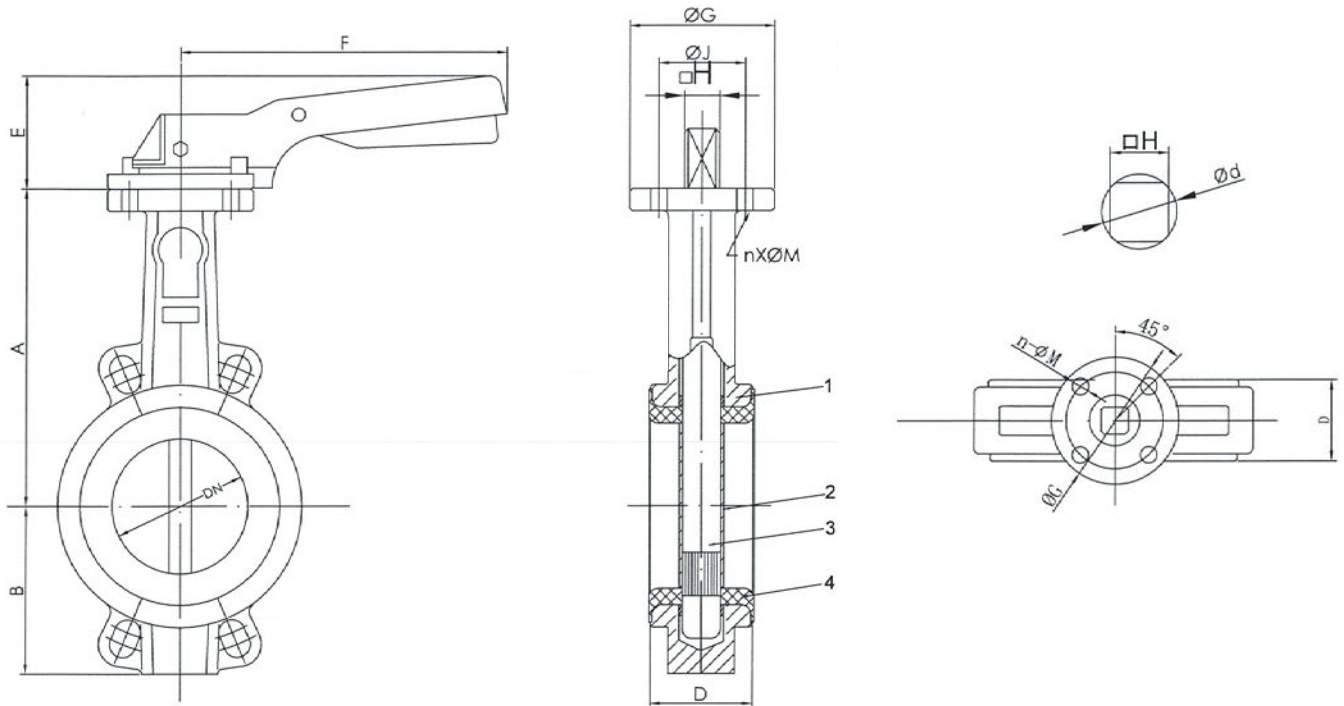
- Hand operated
- Reducer
- Single Action Pneumatic Actuator
- Double Action Pneumatic Actuator
- With Electric Actuator / On-Off (Manual Arm)

Max. Pressure	Dia. (mm)
10 bar	DN (25-300)

Gasket Material	Min. Temp. (°C)	Max. Temp. (°C)
PTFE	-10	80

KV-1 BUTTERFLY VALVE/WAFER TYPE

DN25-DN150

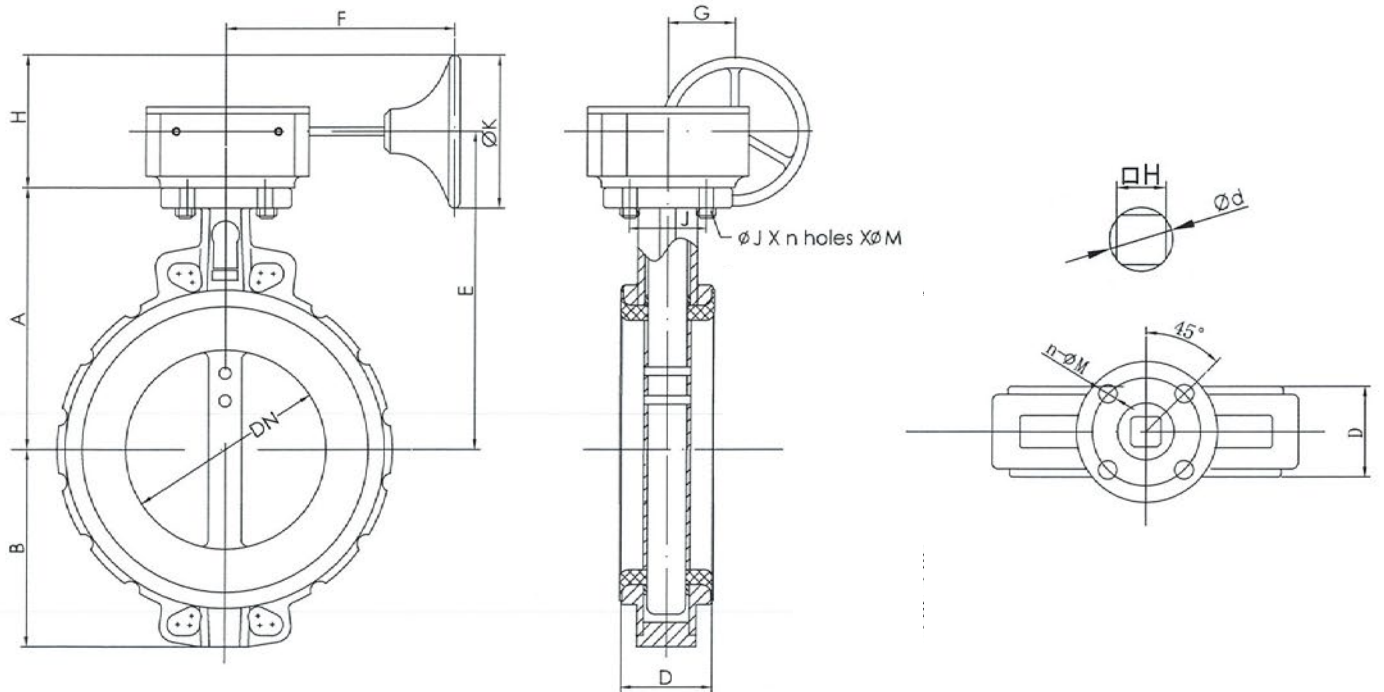


No		
1	Body	Cast Iron
2	Disc	AISI 316
3	Shaft	SS420
4	Gasket	PTFE

DN	A	B	D	E	F	ØG	ØJ	ØH	Ød	n x ØM
25	121	53	33	70	195	65	50	7x7	9	4xØ7
32	121	57	33	70	195	65	50	7x7	9	4xØ7
40	130	61	33	70	195	65	50	9x9	11.8	4xØ7
50	136,5	77	43	70	195	65	50	9x9	11.8	4xØ7
65	142	87,5	46	70	195	65	50	9x9	11.8	4xØ7
80	158	95	46	70	195	65	50	9x9	11.8	4xØ7
100	180	107	52	70	195	65	50	11x11	14.5	4xØ7
125	192	121,5	56	71	278	90	70	14x14	18.9	4xØ9
150	215	144	56	71	278	90	70	14x14	18.9	4xØ9

KV-1 BUTTERFLY VALVE/WAFER TYPE

DN200-DN300

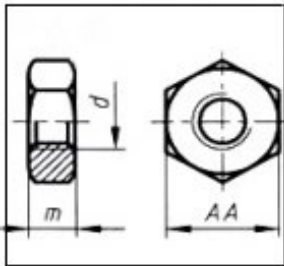


No		
1	Body	Cast Iron
2	Disc	AISI 316
3	Shaft	SS420
4	Gasket	PTFE

DN	A	B	D	E	F	ØG	□H	Ød	ØJ	n x ØM
200	242	171	60	284	241	63	17x17	22,5	102	4xØ11
250	280	205	68	320	223	78	22x22	29,8	125	4xØ13
300	310	235	78	350	223	78	27x27	31,6	125	4xØ13

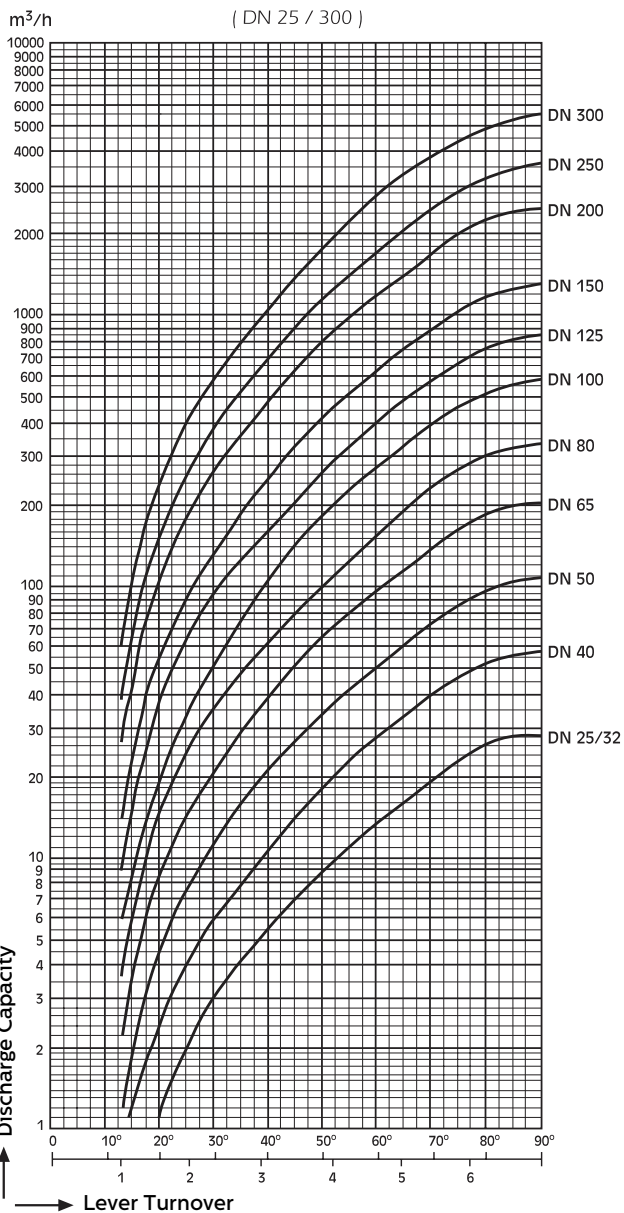
KV-1 BUTTERFLY VALVE/WAFER TYPE

Screw Connection Dimensions



d (mm)	M10	M12	M16	M20	M24
AA	17	19	24	30	36
m	8	10	13	16	19

Discharge Amount

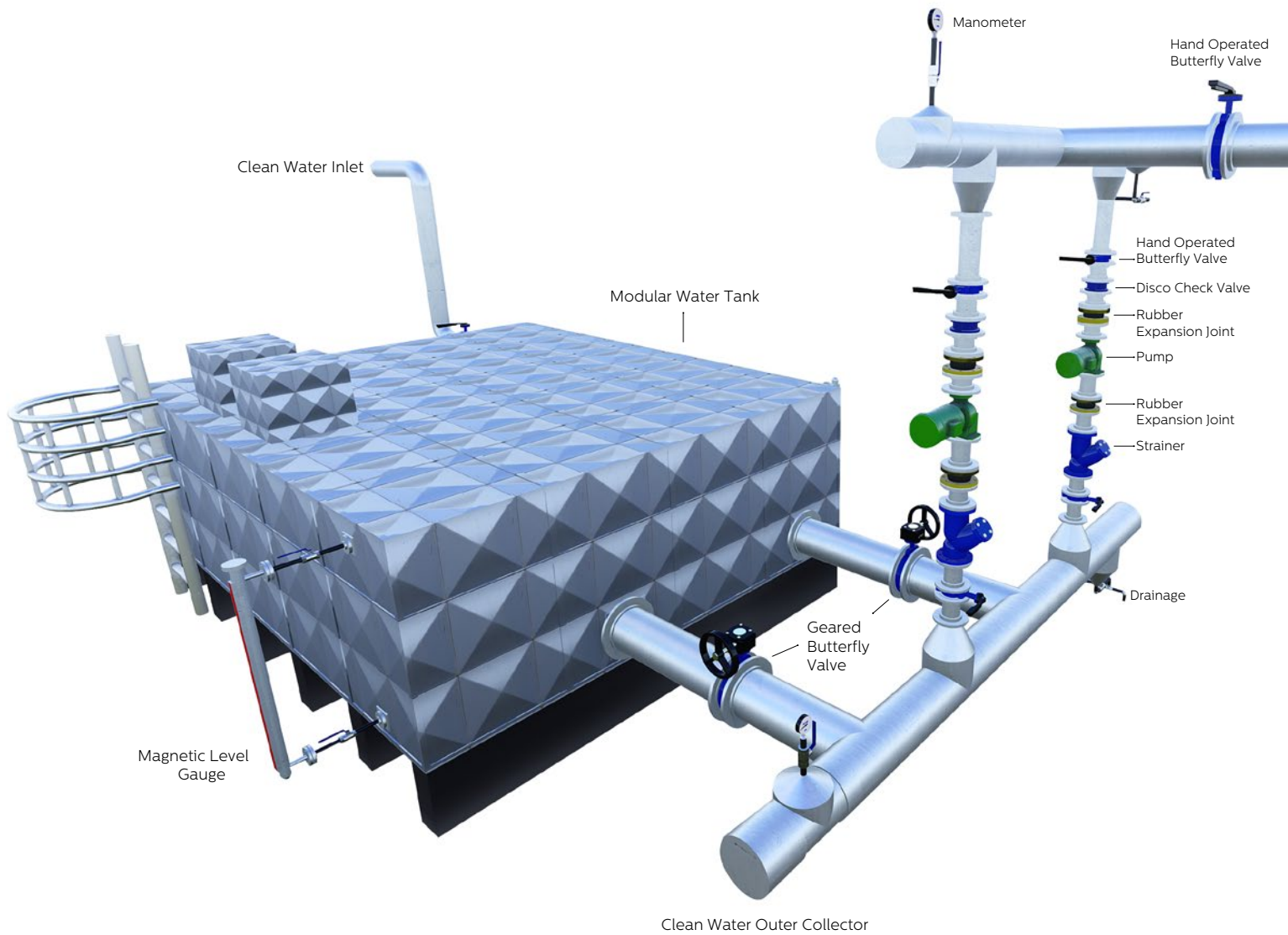


Pipe mm	Torque (Nm)	
	10 Bar	16 Bar
25	9	10
32	9	10
40	11	12
50	15	16
65	24	26
80	31	33
100	48	53
125	73	81
150	106	119
200	177	194
250	281	308
300	410	595
350	475	969
400	746	1307
450	1112	1787
500	1356	2288
600	2468	3711

Pipe Dia.	MM	INC	DISC OPENING ANGLE(DEGREE)								
			VALVE FLOW (m ³ /h)								
			10	20	30	40	50	60	70	80	90
40	1½		0,048	2,4	5,6	12	21,6	35,2	56	84	92
50	2		0,06	3	7	15	27	44	70	105	115
65	2½		0,10	6	12	25	45	75	119	178	196
80	3		0,20	9	18	39	70	116	183	275	302
100	4		0,30	17	36	78	139	230	364	546	600
125	5		0,50	29	61	133	237	392	620	930	1022
150	6		0,80	45	95	205	366	605	958	1437	1579
200	8		2	89	188	408	727	1202	1903	2854	3136
250	10		3	151	320	694	1237	2047	3240	4859	5340
300	12		4	234	495	1072	1911	3162	5005	7507	8250

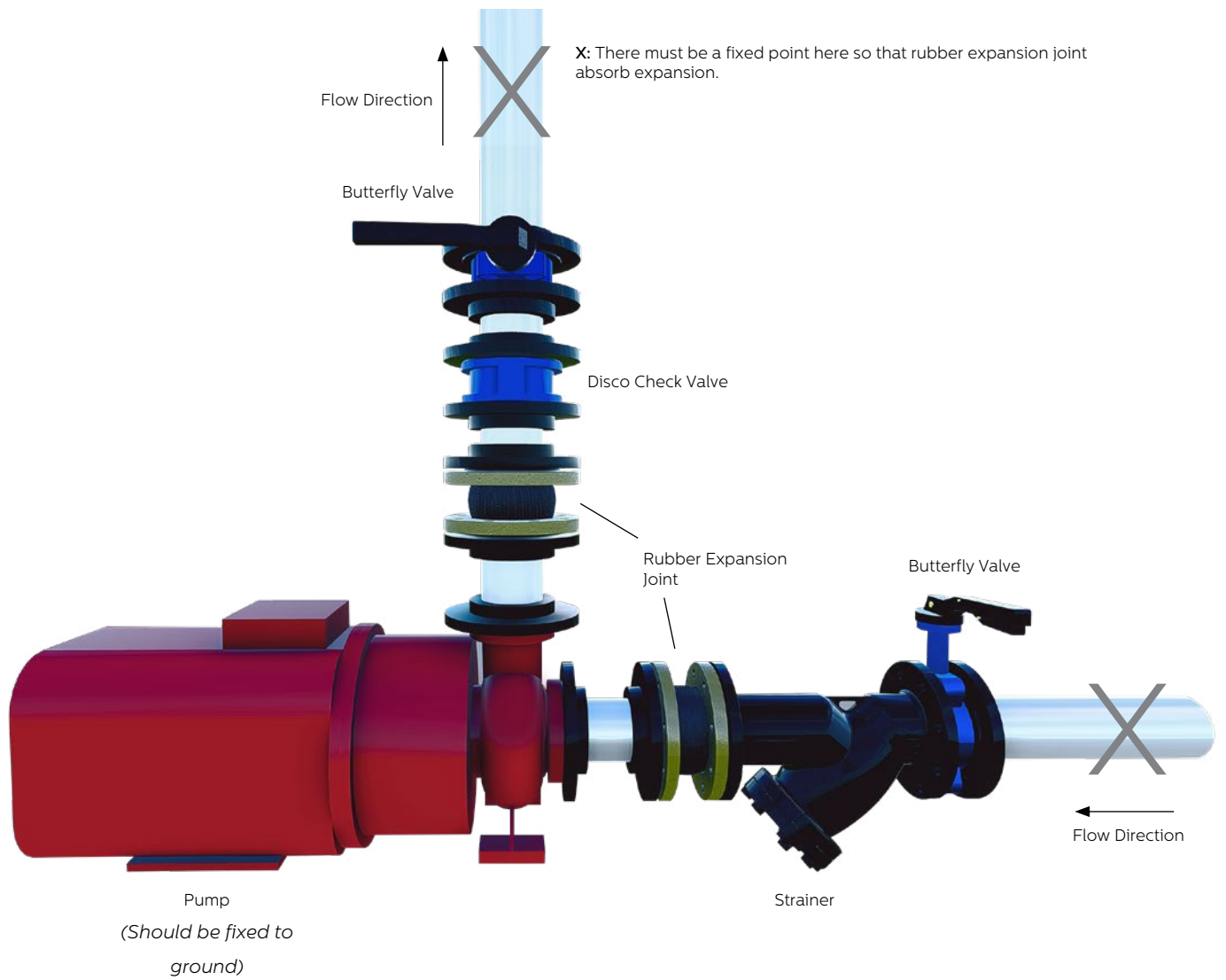
KV-1 BUTTERFLY VALVE/WAFER TYPE

3D APPLICATION SAMPLE - 1



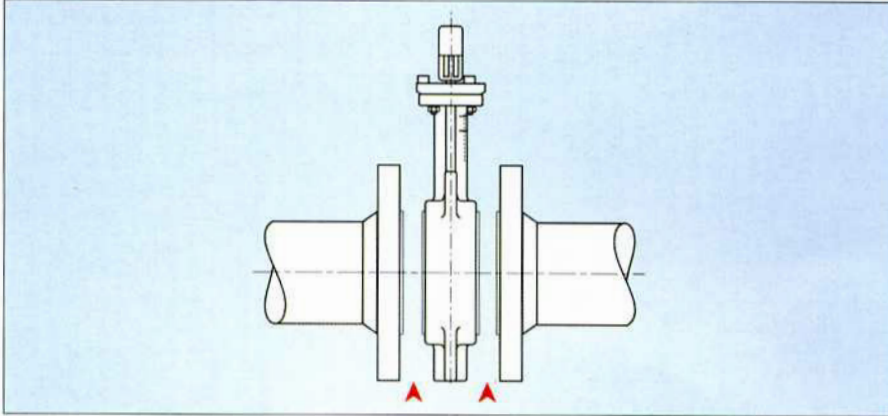
KV-1 BUTTERFLY VALVE/WAFER TYPE

3D APPLICATION SAMPLE- 2



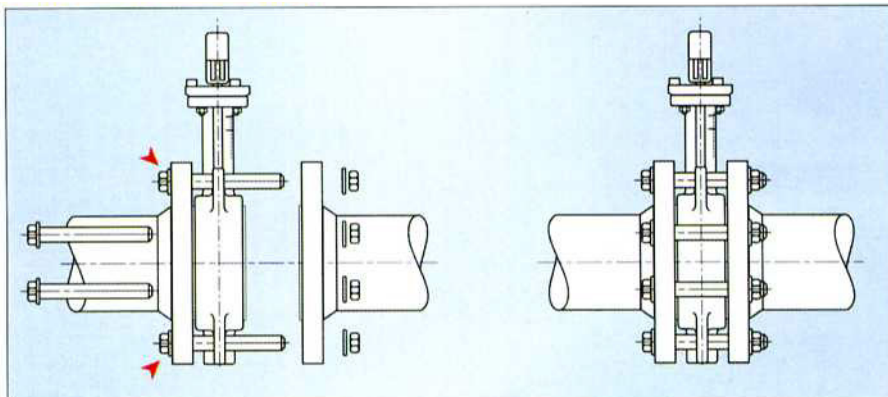
KV-1 BUTTERFLY VALVE/WAFER TYPE

INSTALLATION 1



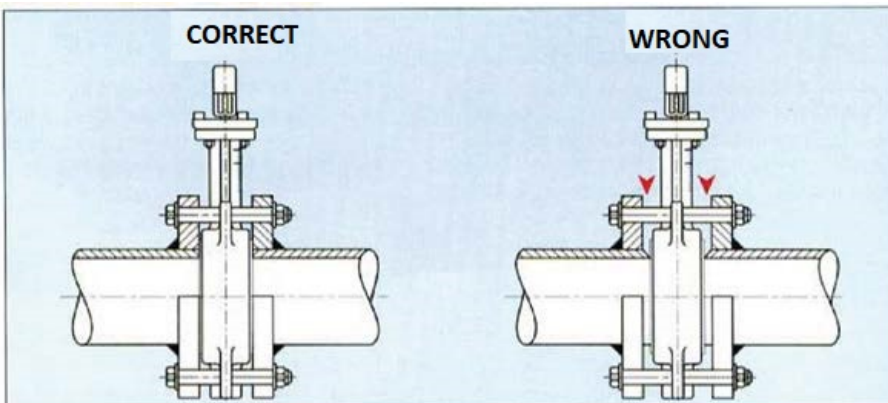
When mounting the valve on the mounting surface, make sure that there is sufficient clearance between the flanges. Valve surfaces that are attempted to be installed without sufficient distance may be damaged.

INSTALLATION 2



During assembly, first assemble the valve with a flange bolt, but do not tighten the bolts, as a second warning, set the body to center the pipe. Then tighten the nuts in the opposite direction, crosswise, until the valve body and pipe flange surfaces touch each other.

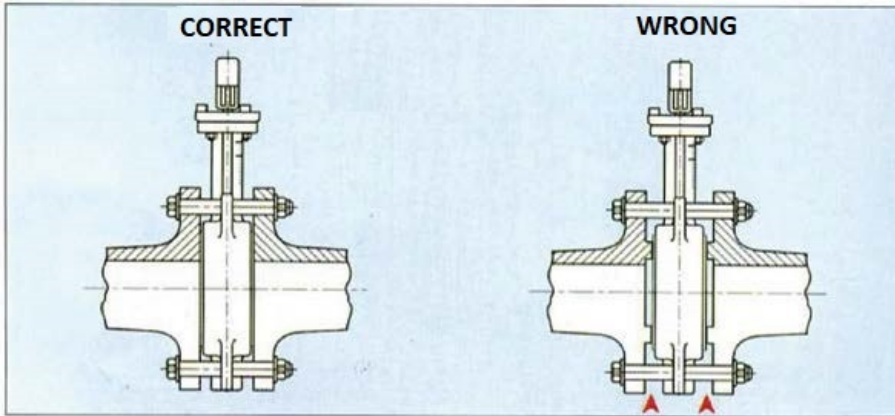
INSTALLATION 3



On the pipe surfaces where the butterfly valve is to be mounted, it is absolutely necessary to avoid the sharp points of the pipe ends and the diameters of the pipe. Pointed spikes and burrs on the pipe mounting surface can cause the rubber surfaces of the butterfly valve to be destroyed.

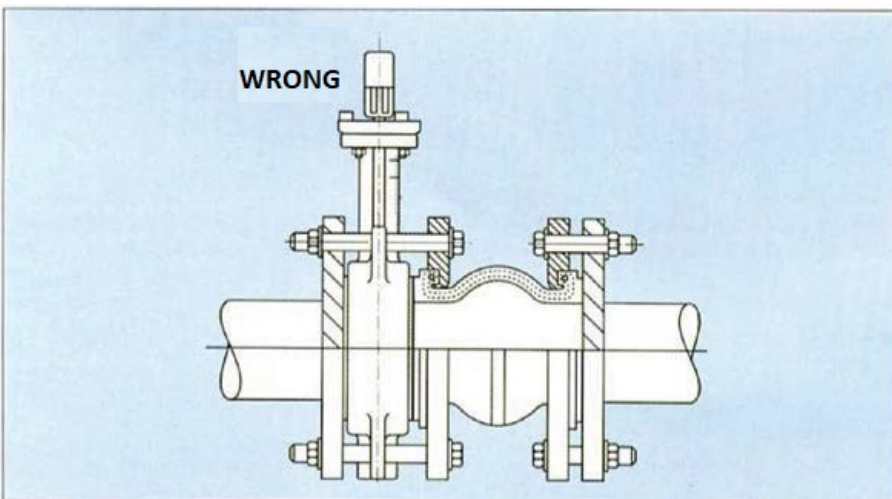
KV-1 BUTTERFLY VALVE/WAFER TYPE

INSTALLATION 4



Installation the butterfly valve, it is important to use the correct connecting flange while the valve. The connection flange to be used must cover the maximum surface area of the butterfly valve.

INSTALLATION 5



While installing the butterfly valve, it is important to that rubber surfaces do not touch each other. Best installation of butterfly valve is the rubber surface of the valve and the metal surface of the pipe flanges to touching each other. The valve may come in contact with the sealing surface of the rubber compensator and may not close.



HEAD OFFICE - FACTORY

Atatürk Sanayi Bölgesi Hadımköy Mahallesi Mustafa İnan Caddesi No: 44 Arnavutköy - İSTANBUL
Tel: +90 212 771 01 45 (pbx) | Fax: +90 212 771 47 27
info@ayvaz.com | www.ayvaz.com

Cona
Caserta/Italy
Tel: +39 0823 187 3988
rmolaro@ayvaz.com

Ayvaz Germany
Viernheim/Germany
Tel: +49 62046014399
germany@ayvaz.com

Ayvaz Ukraine
Kiev/Ukraine
Tel: +380 44 390 57 57
info@ayvaz.com.ua

Tricorr
Warsaw/Poland
Tel: +48 530 030 810
+48 533 603 335
tricorr@tricorr.eu

Ayvaz Azerbaijan
Baku/Azerbaijan
Tel: +99 (455) 579-84-32
ahayatov@ayvaz.com

Ayvaz Egypt
Cairo/Egypt
Tel: +20 122 819 78 29
andrew.eid@ayvaz.com

Ayvaz Gulf
Dubai/U.A.E
Tel: +971 563550822
+971 501306871
mideast@ayvaz.com

Ayvaz China
Ningbo/China
Tel: +86 152 5830 7361
msahin@ayvaz.com

Ayvaz Kazakhstan LLP
Almaty/Kazakhstan
Tel: +7 (727) 327 97 57
info_kz@ayvaz.com

Ayvaz N
Ispirih/Bulgaria
Tel: +359 8431 27 32
office@ayvaz-n.eu

Ayvaz Serbia
Belgrade/Serbia
Tel: +381 61 658 70 52
yakbiyik@ayvaz.com

Ayvaz Vietnam
HCMC/Vietnam
Tel: +84 89 8508345

Ayvaz Americas
Rhode Island/USA
Tel: +1 401 737 8380
americas@ayvaz.com